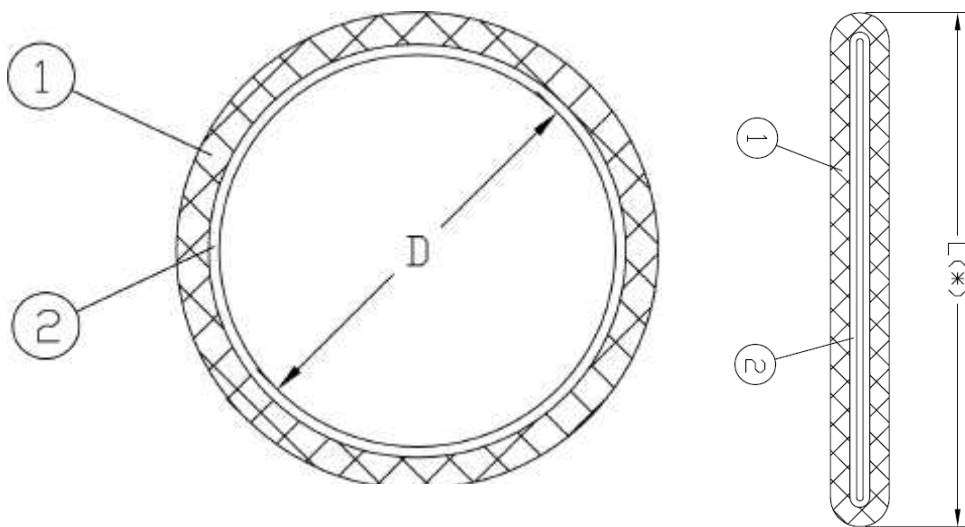




**LAYFLAT HOSES FOR FIRE WATER SYSTEMS  
EPDM RUBBER MOD. FH-Z  
EN 14540:2014 – MED APPROVED**



- 1 - ESTERNO: TESSUTO CIRCOLARE DI POLIESTERE ALTA TENACITA'
- 2 - INTERNO: GOMMA EPDM

- 1 - JACKET: HIGH POLYESTER FILAMENT WOVEN BY CIRCULAR LOOM
- 2 - INSIDE LINING: EPDM RUBBER

| D mm | L mm | PESO Kg / mt<br>WEIGHT Kg / mt |
|------|------|--------------------------------|
| 38   | 60   | 0,196                          |
| 45   | 71   | 0,285                          |
| 52   | 82   | 0,312                          |

*According to EN 14540 (2014)*

**CERTIFICATE No. MED300115CS**  
**Marine Equipment Directive 2009/26/EC**

